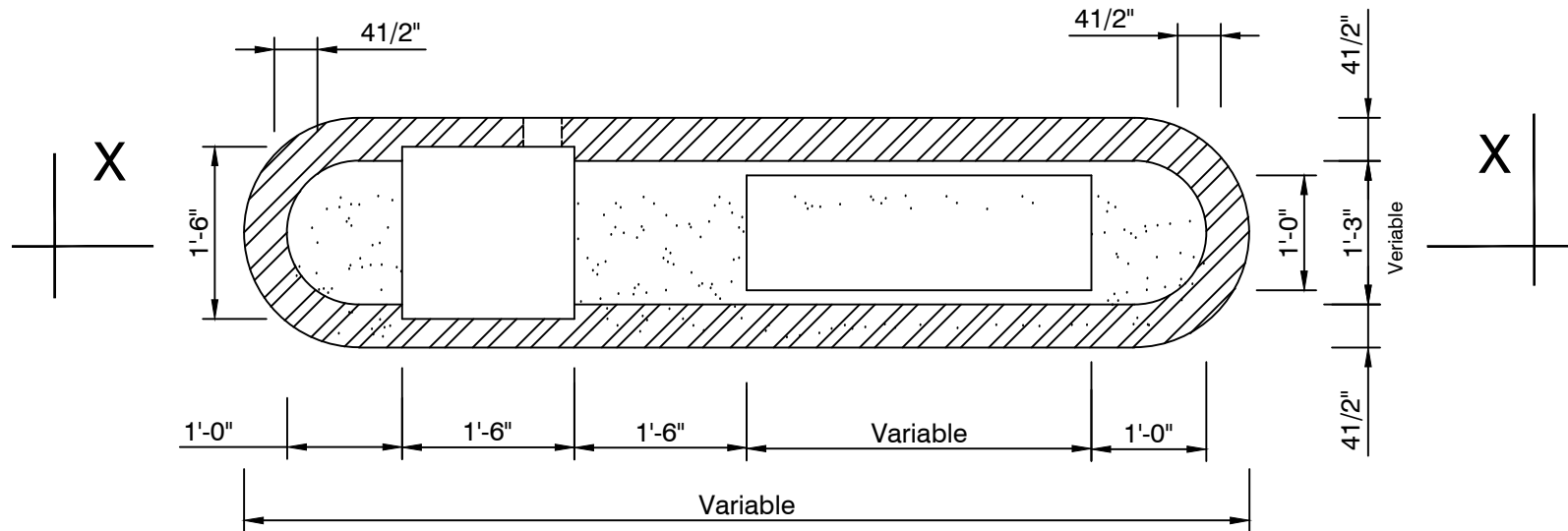


**SECTION X-X**



**PLAN**

01		08/08
REV.	DESCRIPTION	DATE
<b>CEYLON PETROLEUM CORPORATION.</b>		
<small>ENGINEERING PROJECT. 118, ROYUNDA TOWER COLOMBO - 5. T.P.NO: 544890,478644 FAX NO: 478579</small>		
<b>PROJECT:</b> CONSTRUCTION OF PUMP ISLANDS ISLANDWIDE NEW FILLING STATIONS.		
<b>TITLE:</b> DETAIL OF PUMP ISLAND		
<b>Design Engineer:</b> I.M. GODAGE		
<b>Drawing No:</b> CEYPET ENG/SK/0050		
<b>Scale:</b> Not to scale	<b>Date:</b> 04/10/2004	
<b>Drawn By :</b> Ramani		
<b>Checked By :</b>		
<b>Approved By :</b>		